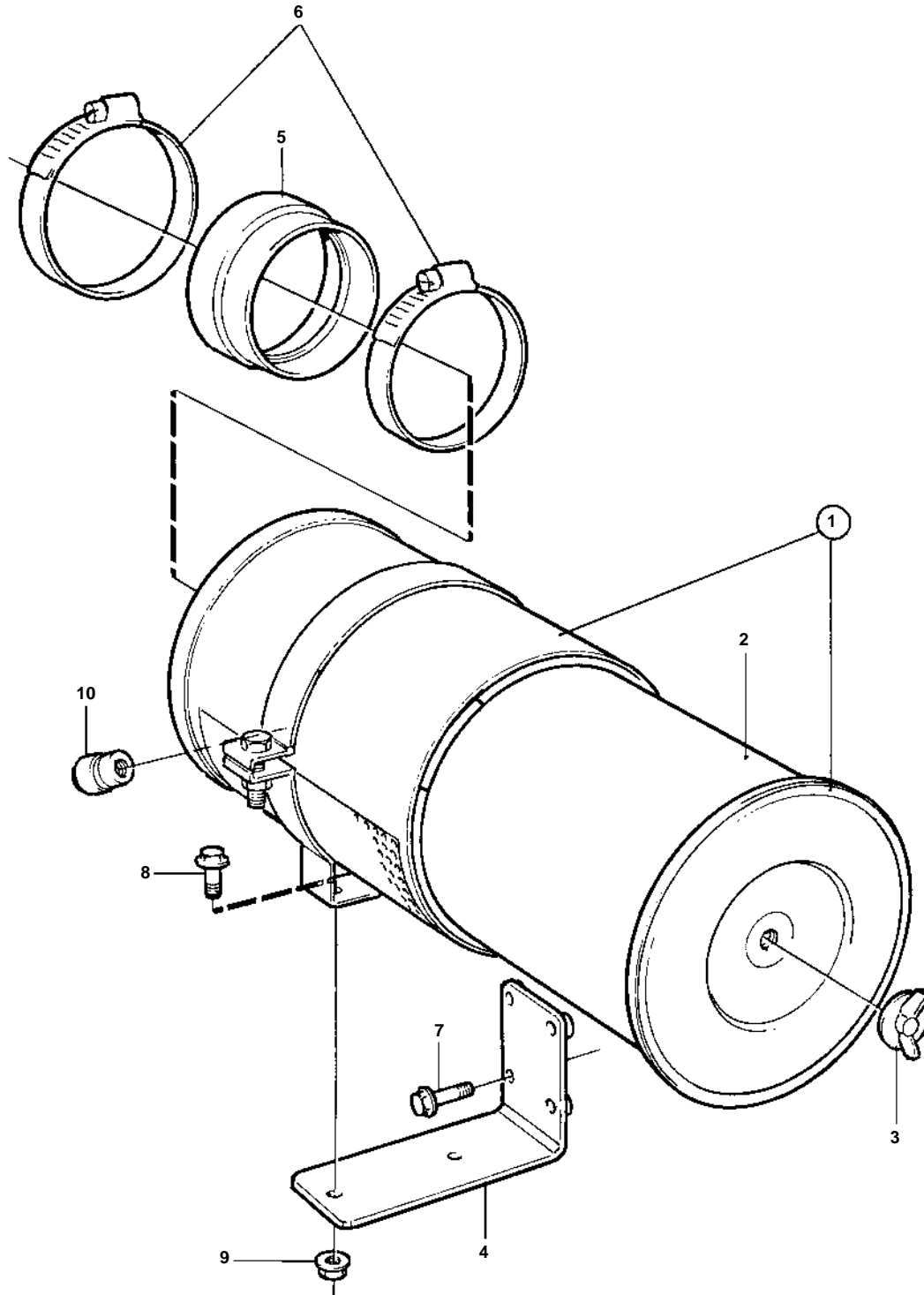


TAMD163A-A, TAMD163P-A



15728

TAMD163A-A, TAMD163P-A

REF	PART NO.	QTY	DESCRIPTION
1	866517	1	Air cleaner
2	866658	1	· Air filter insert
3	8228567	1	· Wing nut, incl gasket
4	866616	1	Bracket
5	866617	1	Rubber collar
6	961907	2	Hose clamp
7	946470	4	Flange screw
8	946173	2	Flange screw
9	948645	2	Lock nut
10	842037	1	Vacuum gauge